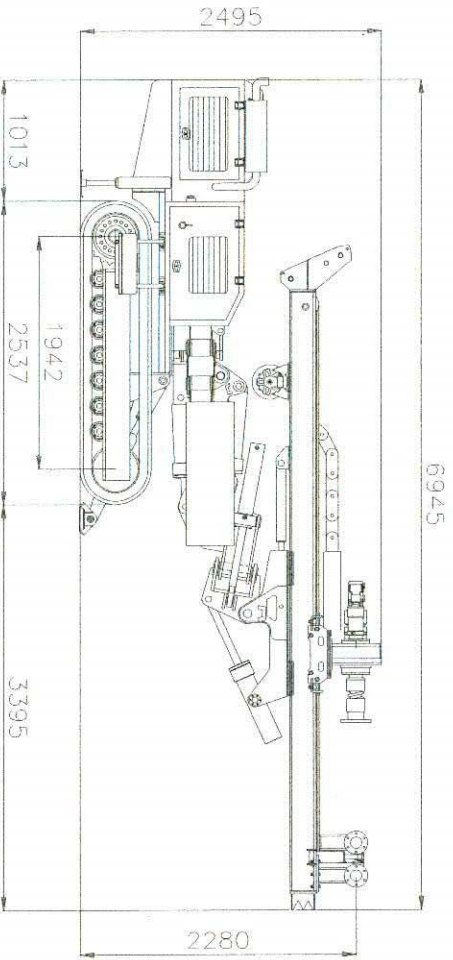


:: DIMENSIONI (macchina standard) ::



:: UNIT STANDARD DIMENSIONS ::

