

# TOA-TONE "SMX" COMPACT TRENCHER

- Very compact design with high excavating performance by built-in sand pump for effective cutting removal
- Very simple structure ensures less cost for maintenance and repair
- High torque cutter can excavate various formations from clay to hardly compact layer

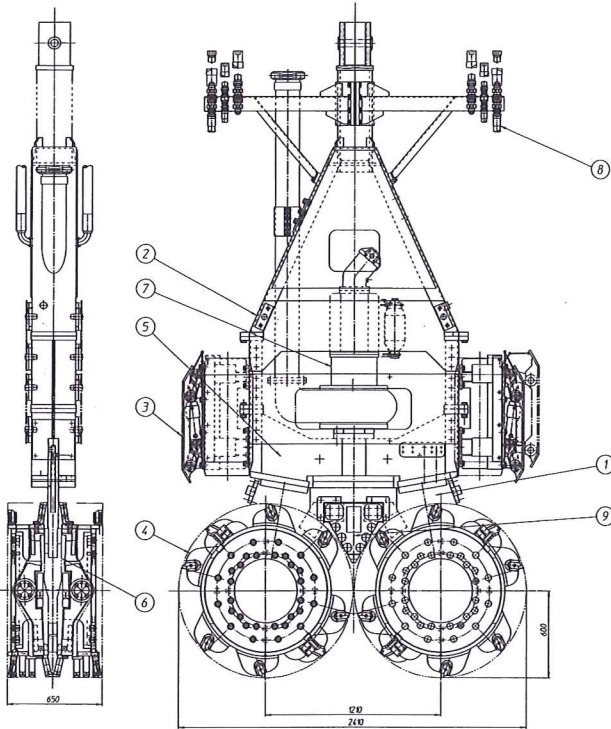


**TOA-TONE BORING CO., LTD.**

ULR: <http://www.toa-tone.jp>

# “SMX” DRAWINGS AND SPECIFICATIONS

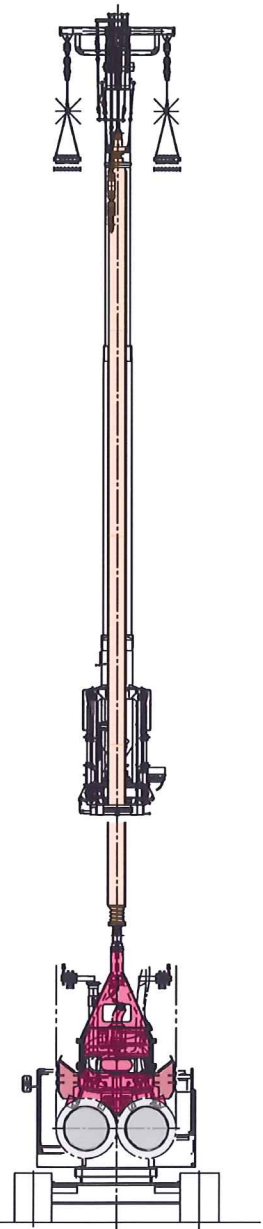
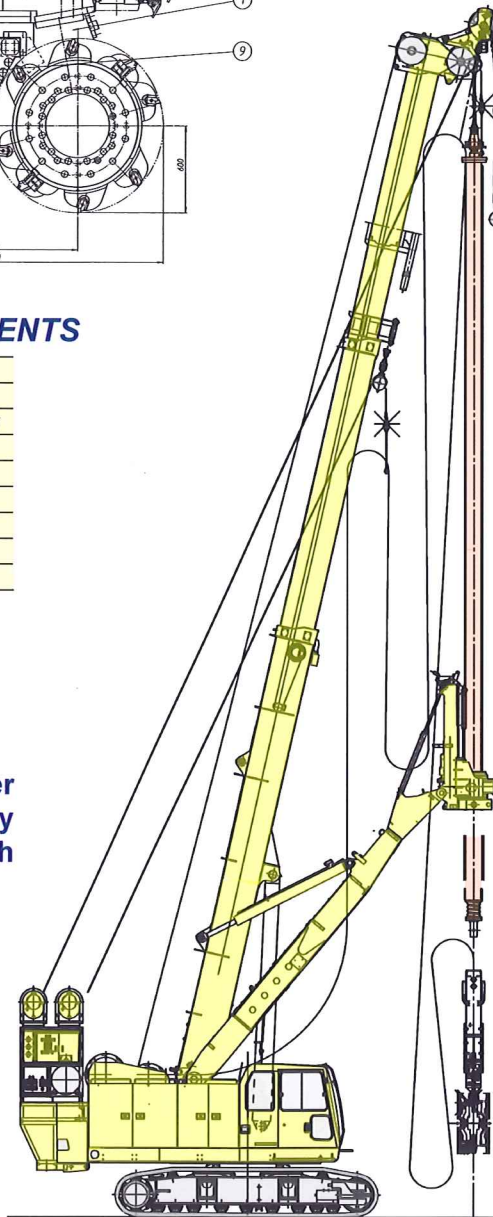
## DRAWING FOR “SMX” TRENCHER UNIT



### NAME OF COMPONENTS

1	Drive shaft ass'y
2	Frame ass'y
3	Adjustable guide ass'y
4	Cutter ass'y
5	Plate ass'y
6	Plate ass'y, cam
7	Sand pump ass'y
8	Piping ass'y
9	Shoe ass'y

Right:  
“SMX” Trencher  
suspended by  
Kelly type earth  
drill



## SPECIFICATIONS

Model Name		“SMX” Trencher
Weight		Approx. 8000 kg
Drum cutter	Rotation speed	Low: 0 – 13.5 rpm High: 0 – 27 rpm
	Max. torque	Low: 46 kN-m High: 23 kN-m
	Wall width	650 – 1000 mm
	Wall length	2410 mm
	Hydraulic pressure	29 MPa
	Motor for hydraulic unit	110 kW
Sand pump	Inner diameter	150 mm
	TDH	32 m
	Displacement	6 m <sup>3</sup> /min.
	Motor	75 kW

Remarks: In accordance with our policy of constant improvement, we reserve the right to amend design, materials, specifications and prices at any time without prior notice.



**TOA-TONE BORING CO., LTD.**

3-7 Roppongi 7-chome, Minato-ku,  
Tokyo 106-8552, Japan  
Phone: 03-5775-3921 Fax: 03-5775-3967  
ULR: <http://www.toa-tone.jp>

